

StrataDrain

Prefabricated Drainage Composites



APPLICATIONS

PLANTERS

ROOF GARDENS

PLAZA DECKS

SPLIT-SLABS

StrataDrain 700 Series

SECTION 02622

StrataDrain 700 Series Performs a multi-faceted role by providing protection for waterproofing systems and collecting excess water in planters, roof top gardens, and other horizontal surfaces. Planting soil is retained while allowing water to pass into the drainage core. The collected water is then conveyed to a proper collection system.

StrataDrain 700

Consists of a heavy-duty impermeable polymeric sheet cusped under heat and pressure to form a high-flow dimpled drainage core. The core is then bonded to a layer of woven filter fabric. The filter fabric retains soil or sand particles as well as freshly placed concrete or grout, allowing filtered water to pass into the drainage core.

StrataDrain 720

The identical properties as StrataDrain 700 with the addition of a protection sheet bonded to the back side of the cusped core providing protection for soft membrane waterproofing systems. StrataDrain 720 is compatible with waterproofing without the use of a protection board.



380 Dahlonega Rd., Suite 200, Cumming GA 30040 USA
Website: www.geogrid.com • Email: strata@geogrid.com

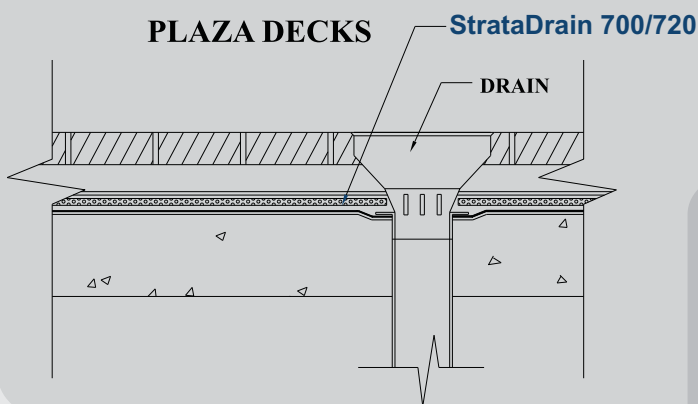
StrataDrain

Prefabricated Drainage Composites



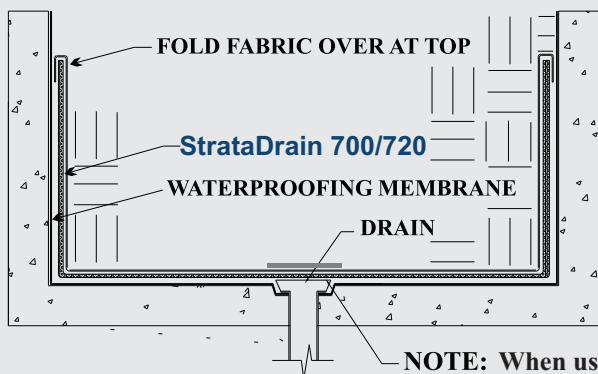
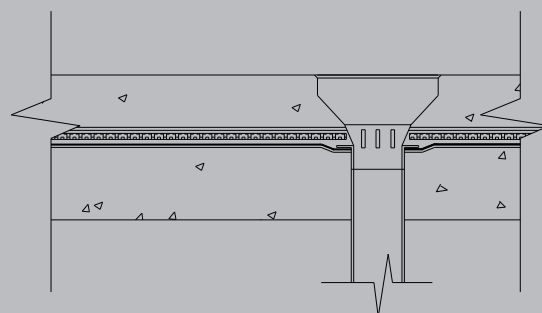
APPLICATION:

PLAZA DECKS



APPLICATION:

SPLIT-SLAB



APPLICATIONS:

PLANTERS & ROOF GARDENS

NOTE: When using StrataDrain 700 & 720 cut and remove drainage core and cover with an aluminum plate as shown.

Physical Properties

Core

Fabric

Compressive Strength (ASTM D-1621)	21,000 psf	
	1005 kNm2	
Thickness (ASTM D-1777)	.40 in.	
	1.016 cm.	
Flow (ASTM D-4716)	21 gpm/ft width	
Hydraulic gradient = 1	260 lpm/m width	
Roll Weight	50 lbs.	22 kgs.
Roll Width	4 ft.	1.22 meters
Roll Length	50 ft.	15.24 meters

Flow (ASTM D-4491)	145 gpm/ft2
	5907 lpm/m2
Puncture (ASTM D-4833)	100 lbs.
	.44 kN
AOS (EOS)	40 U.S. Sieve
	.425 mm
Grab Tensile (ASTM D-4632)	365 x 200 lbs.
	1.62 x 0.89 kN

The information contained herein is believed by Strata Systems, Inc. to be accurate and is offered solely for the customer's consideration, investigation and verification. Determination of suitability for use is the responsibility of the user.

Be sure to visit our website at www.geogrid.com

